

GEAR MOTOR FOR MILK TANK

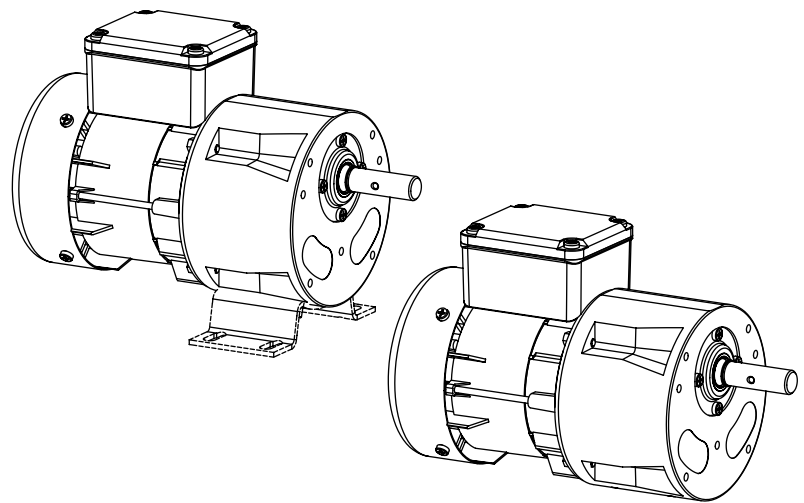
RECOMMENDED FOR MILK TANKS CAPACITY OF 3000 TO 6000 LITERS

SMALL AND COMPACT

EASE MOUNTING

REINFORCED VERSION FOR BETTER MECHANICAL FEATURES

OUTPUT SHAFT ACCORDING TO THE SPECIFICATIONS OF YOUR AGITATION BLADE (LENGTH & DIAMETER)



APPLICATION :

MOTORIZATION OF THE MILK AGITATION BLADE

TECHNICAL FEATURES :

4 MOUNTINGS AVAILABLE :
SEE DRAWING

2 POLE MOTOR

CLASS F INSULATION

IP44 PROTECTION

SINGLE PHASE MOTOR WITH PERMANENT CAPACITOR OR THREE PHASE

PERMANENTLY LUBRICATED

2 DIRECTIONS OF ROTATION

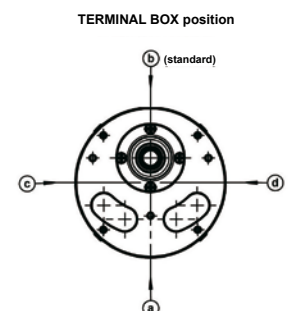
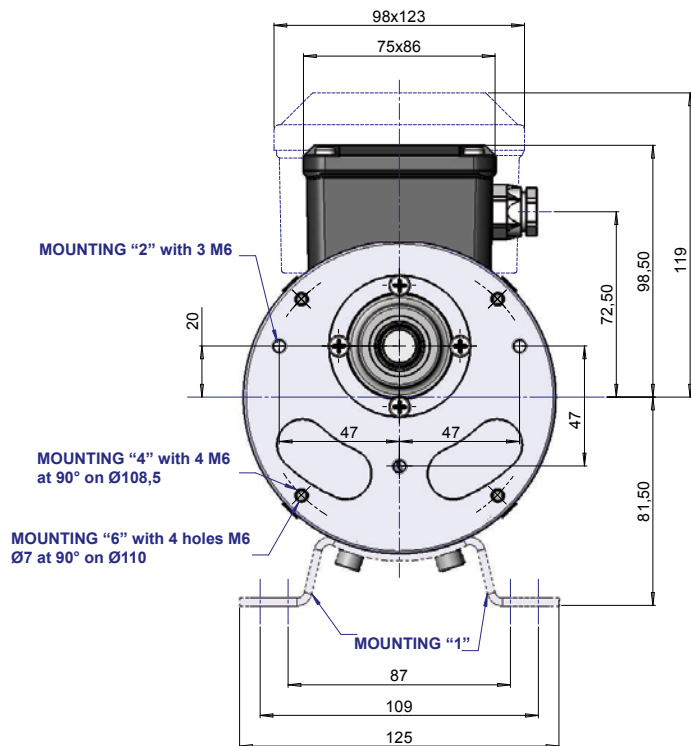
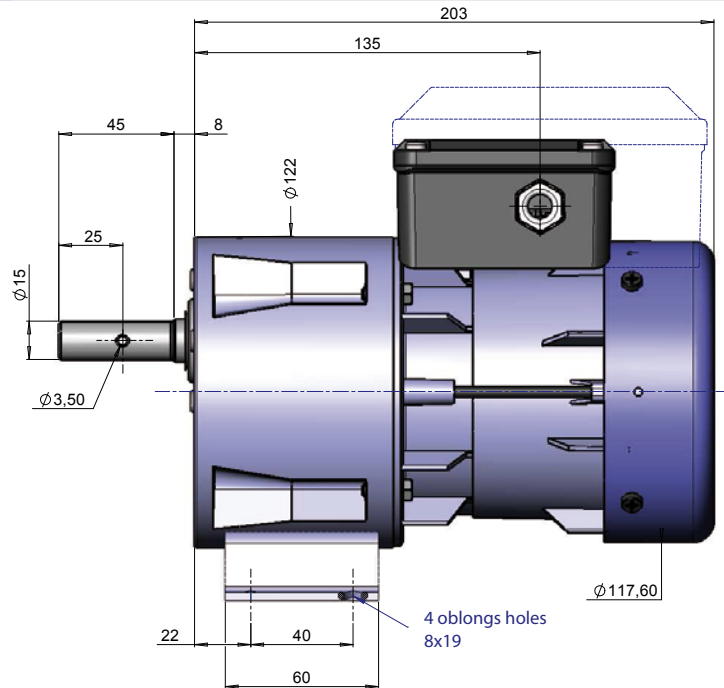
THERMAL CUT-OUT

TERMINAL BOX : 4 POSITIONS

Technical features		Speed N2 RPM	Reduction ratio N2/N1	Rated moment m.daN		Maximum load on slowshaft (1)		Kg
Col.1	Col.2			Col.1	Col.2	Radial daN	Axial daN	
R1C 245 MB R3 245 MB	R1C 245 MBR R3 245 MBR	21	1/125	2,5	5,2	102	60	3,5
		25	1/112	2,2	4,6	96	56	
		32	1/88	1,7	3,6	88	50	
		48	1/59	1,2	2,4	78	42	

(1) Applied in the middle of the shaft end

Motor features	Single phase with capacitor 230 V-50 Hz	Three phase 230/400 V 50 Hz	Rated moment cm.N	Output power W	Speed n1 RPM	Rated current 230 V - A	IA/IN	Cd/Cn	Cos
1C 245	•		24,2	71	2800	0,59	2,3	0,8	0,99
1C 245 R	•		51,2	145	2700	1,08	1,65	0,49	0,98
3 245		•	24,8	73	2800	0,42	3,25	0,97	0,79
3 245 R		•	51,2	145	2700	0,77	2,9	0,89	0,83



OPTIONS :

SEPARATED THERMAL CUT-OUT
(SINGLE OR THREE PHASE)

IP55 PROTECTION

OUTPUT SHAFT ACCORDING TO THE
SPECIFICATIONS SUITABLE TO THE
AGITATOR

SPECIAL VOLTAGES AND FREQUENCIES
(60 Hz AND 50/60 Hz)

MICRO-SWITCH INCORPORATED
IN THE TERMINAL BOX

REINFORCED MOTOR
(1ST GEAR IN METAL)